



LLB18 1P



LLB18 2P



LLB18 3P



LLB19 1P



LLB19 2P



LLB19 3P

## LLB18 PIAL Mini Circuit Breaker

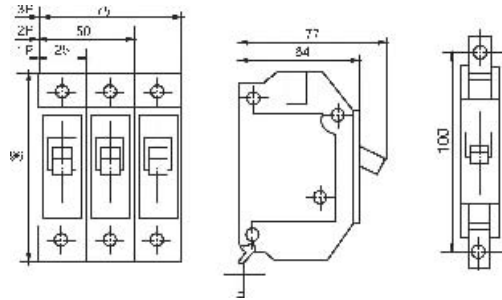
### Application

LLB18 mini circuit breaker applies to industrial, chimerical, lighting and electric machine distribution system with AC415V,50-60Hz, rated working current up to 60A to be used to protect overload and short circuit. Main technical parameter, see the form.

### Sepecification

Pole Number(P)	1,2,3
Rated Current (A)	6,10,15,20,25,30,40,50,60
Rated Voltage(V)	240/415,415(3P)
Maximum Making and Breaking capacity	3KA
Electric Life (Times)	6000
Mechanical Life (Times)	4000

### Dimension (mm)



## LLB19 Mini Circuit Breaker

### Application

HBH-P moulded case circuit breaker applies to industrial, commercial, lighting and electric machine distribution system with AC 415, 50-60Hz, rated working current up to 60A to be used to protect overload and short circuit. Main technical parameter, see the form.

### Sepecification

Pole Number(P)	1,2,3
Rated Current (A)	6,10,15,20,25,30,40,50,60
Rated Voltage(V)	240/415,415(3P)
Maximum Making and Breaking capacity	3KA
Electric Life (Times)	6000
Mechanical Life (Times)	4000